

CERTIFICATION



HACCP International



ISO9001

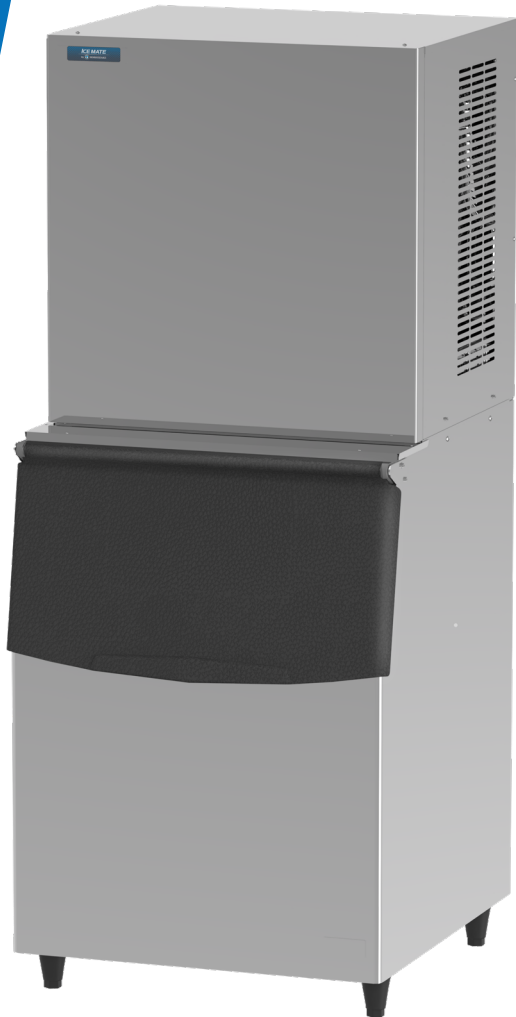
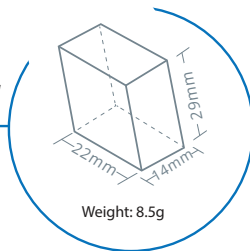
ICE MATE



SRM-450AB-S-14-B-501SA

ICE MAKER

HALF DICE



ICEMATE is committed to bringing high-efficiency / energy-saving, and high quality ice-making product to people who have dreams and desire to create their own business with the best scientific technology and manufacturing technology.

KEY FEATURES

SAFETY AND HYGIENE ASSURED ICE MACHINE

AUTO-CLEANING



Timely maintenance of water system can extend life of equipment.

PURE ICE

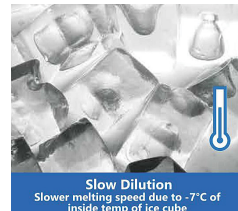


Overflow self-cleaning function, ensuring ice hygiene

IoT



Slow melt Dilution

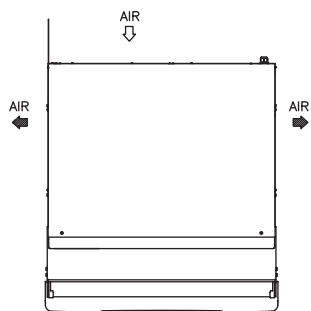


Powerful Ice Making

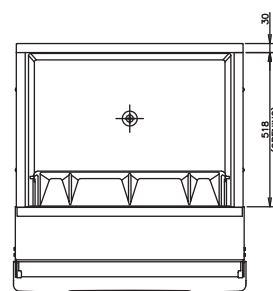


Energy & Water Saving, Quiet Operation

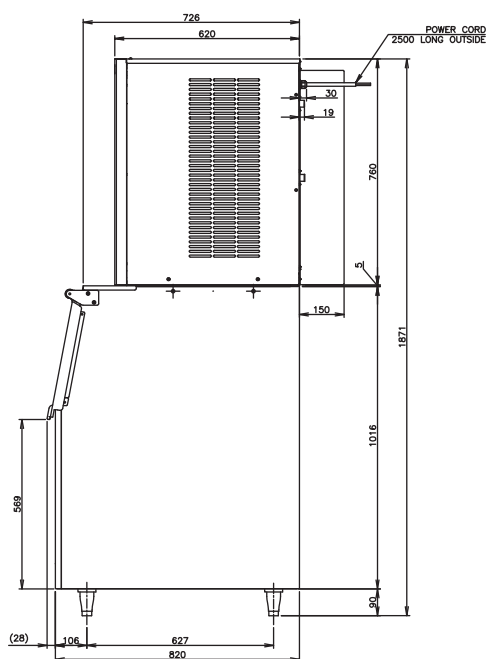




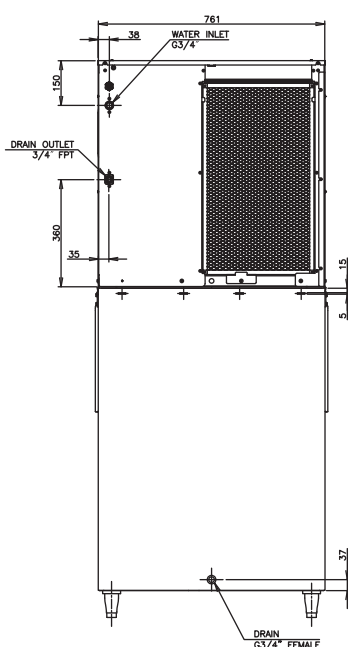
BIN TOP VIEW



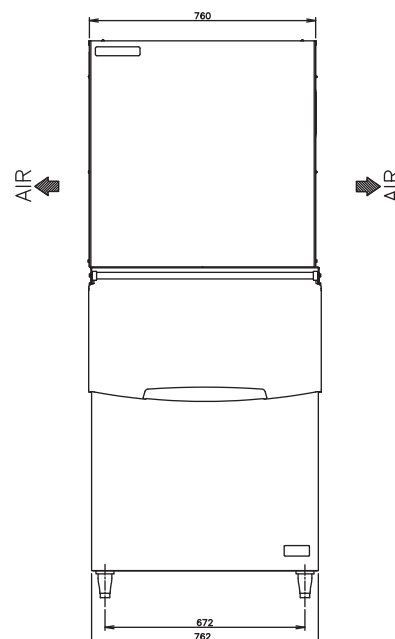
RIGHT SIDE



BACK SIDE



FRONT SIDE



SPECIFICATIONS

Ice Dimensions (W x D x H)	29 x 14 x 22 mm
Outside Dimensions (W x D x H)	762 x 820 x 1871 (~1901) mm
Package Dimensions (W x D x H)	Ice Maker: Pallet+Carton: 865 x 720 x 945mm Storage Bin: 866 x 924 x 1138mm
Weight (Net / Gross)	Ice Maker: 95kg / 105kg Storage Bin: 47kg / 57kg
Amperage / Starting Amperage	10.83A/45.7A
Electrical Consumption	(AT32°C / WT21°C) 2064W
Refrigerant Charge	R404A/900g
Ice Storage Capacity	Maximum 217kg
Ice Production per 24H	(AT10°C / WT10°C) Approx. 450 kg (AT21°C / WT15°C) Approx. 399kg (AT32°C / WT21°C) Approx. 316 kg

Water Consumption per 24H	(AT32°C/WT21°C) 0.34m ³ (1.1L / kg Ice)
Ice Production Freeze Cycle Time	(AT21°C/WT15°C) 15.5 min
Ice Production per Cycle	(AT21°C/WT15°C) Approx. 4.43kg / 544pcs

OPERATING CONDITIONS

Voltage Range	198 - 242 V
Ambient Temperature	5 - 38°C
Water Supply	5 - 32°C
Water Supply Pressure	0.07 - 0.55 Mpa (0.7 - 5.5 bar)
Supply Voltage	1/220 - 240V / 50Hz

